

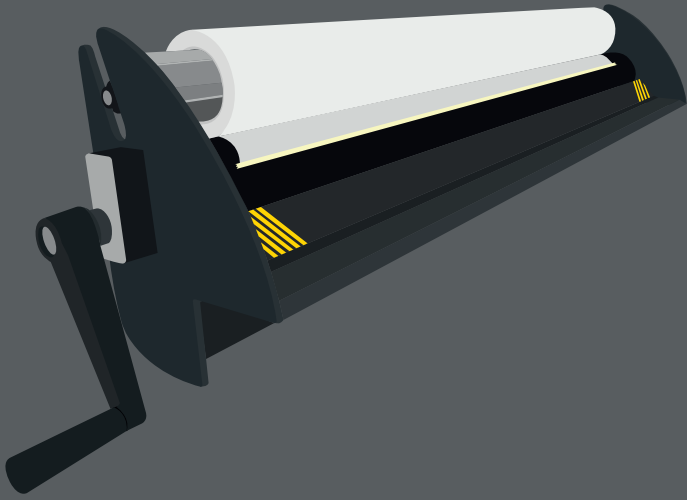
SP140

SPEED APPLICATOR

QUICK START GUIDE



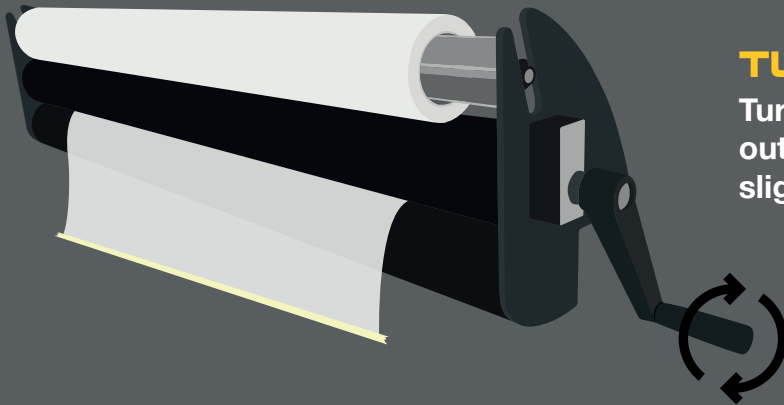
QUICK START



ADD YOUR APPLICATION

Start by adding your application on the black profile and then place the holder with roller as shown in the picture.

Attach your application with a thin piece of tape.



TURN THE HANDLE

Turn the handle until the application is pulled out on the back. Loosen the tape and pull slightly forward.



PLACE YOUR JOB

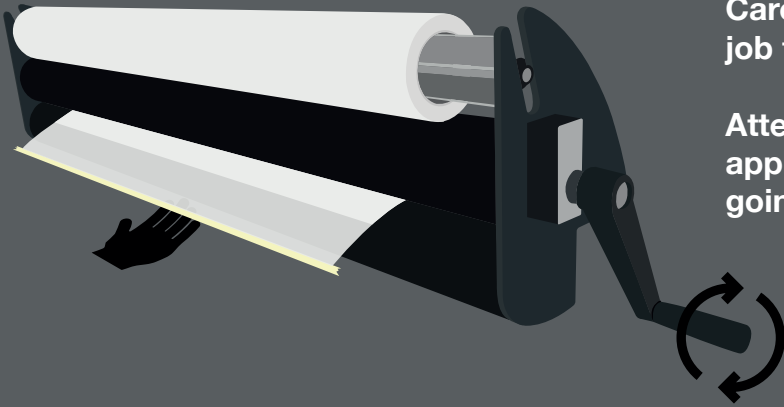
Place your job under the rail. Push your job forward to the roller with application.

QUICK START

LEAD YOUR JOB

Carefully turn the handle while leading your job forward under the roller.

Attention! Always remember to lift the application from the lower roller to avoid it from going around the roller.



APPLICATE YOUR JOB

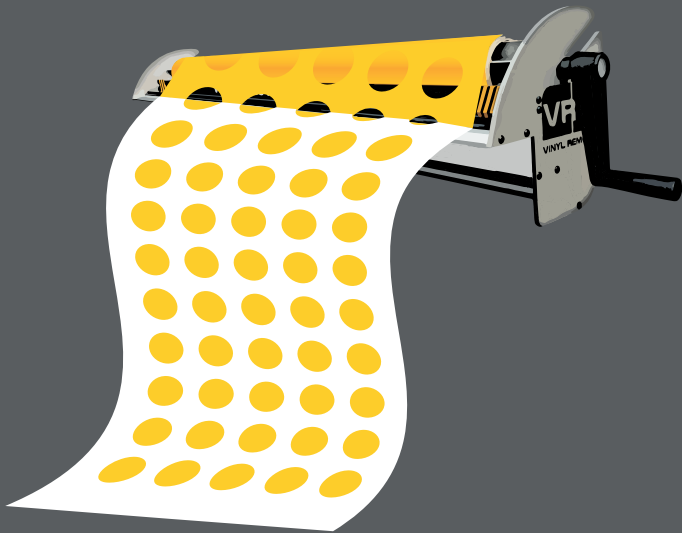
Use the handle or pull manually. Remember to pull the job horizontally or a bit up. If you let it fall down against the floor, it can create a bad result. Run your job and then you're ready for your next one!





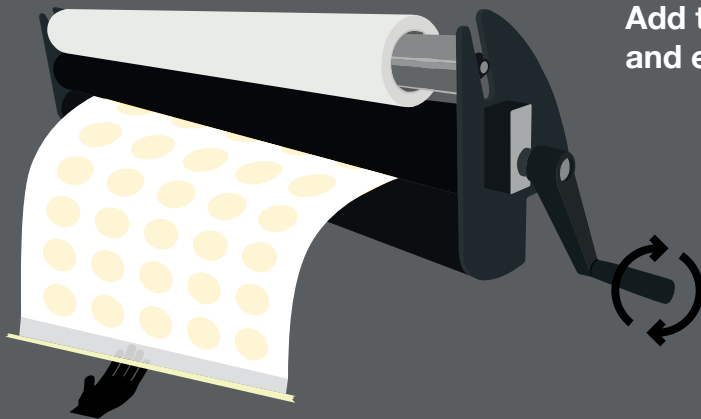
The perfect combination!

Peel your job with the Vinyl Remover and then add application tape to your job with the Speed Applicator!



PEEL YOUR JOB

Start by peeling your job with the Vinyl Remover.



APPLICATE YOUR JOB

Add the application tape on your job, nice and easy with your Speed Applicator.

Scan the code for video demonstration on YouTube

